

MOSSWYN B2M190-70-3



BACKWARD CURVE FAN NOMINAL DATA

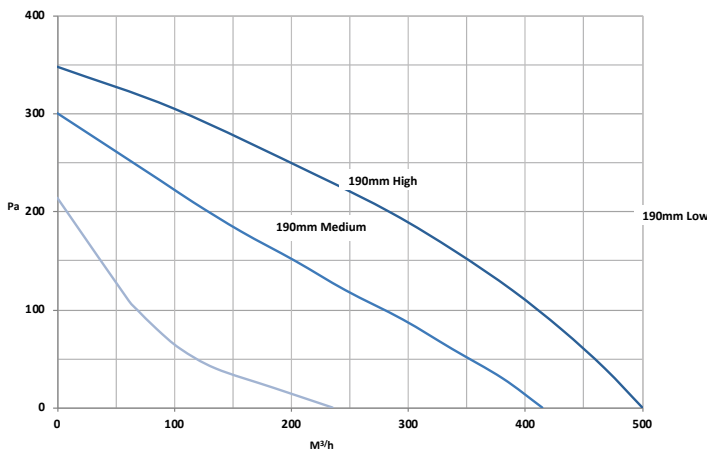
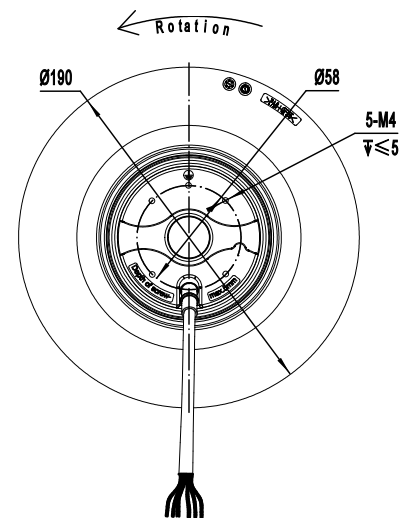
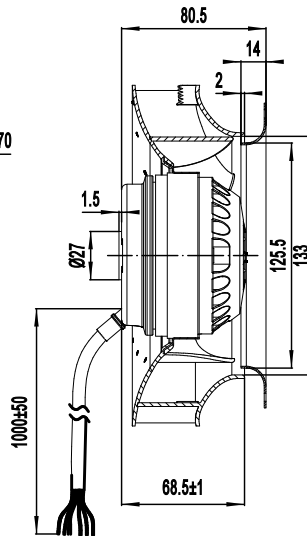
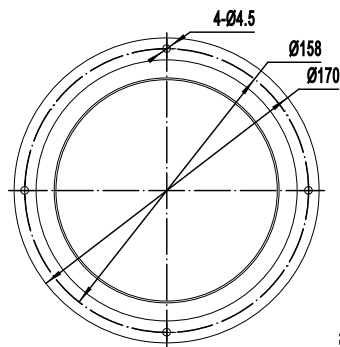
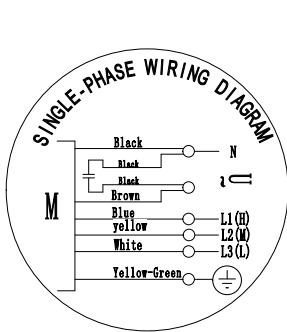
Fan Diameter: 190mm
Frequency Hz: 50
Volts: 220/230
Speed (r/min)(±10%): 1350, 2150, 2600
Current draw (A)(±10%): 0.25, 0.27, 0.30
Capacitor (uF)(±5%) : 2.5
Power Input (W)(±10%) : 50, 55, 66
Noise Level (Lp dB)(A) Max : 53, 65, 69
Air Flow m3/H: 235, 410, 500

TECHNICAL FEATURES:

Level of Protection: IP44
Insulation Class: F
Leakage Current: According to GB 12350
Type of Application: S1
Operating Temperature Range: -30°C-+50°C
Operating Humidity Range: 0%-95%RH
Operating Altitude: <1000M
Atmospheric Pressure Range: 80-110Kpa



Bell Mouth Ring and capacitor included.



Warnings:

- Use in well ventilated areas. Avoid Hazardous areas with an explosive risk.
- Please avoid strong strikes or impacts as this may damage the ball bearings.
- Check correct rotation of fan when installed
- Electrical connections must be done by a qualified person in accordance with all regulations